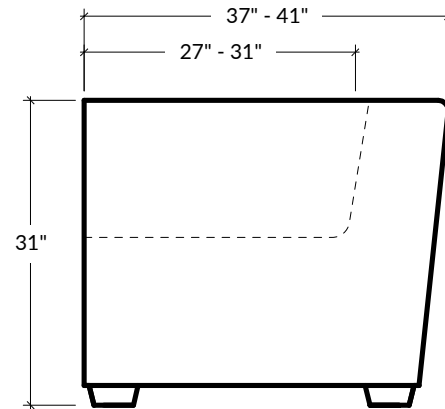
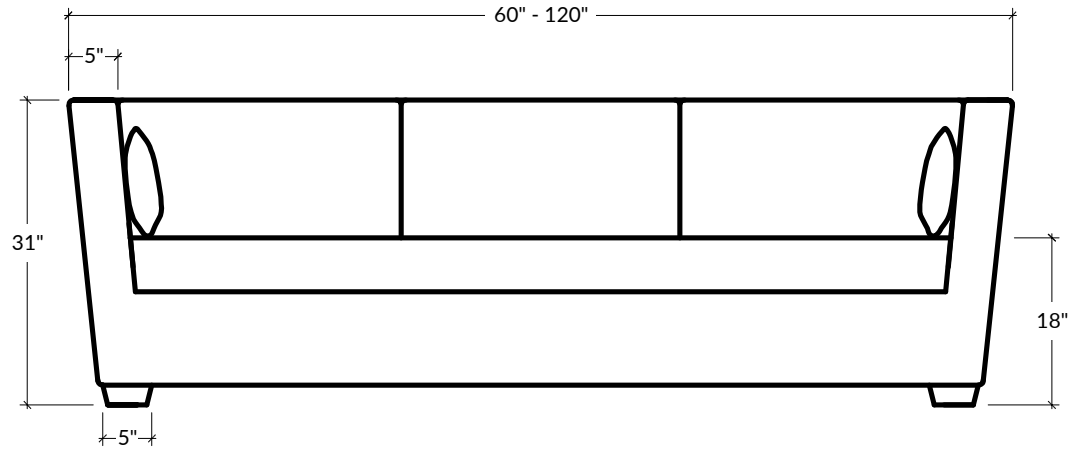
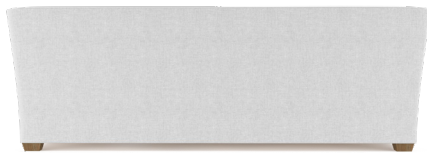


This silhouette draws on classic American designs, with a fashion-forward slant. Sheltering, outward-angled arms add a touch of dynamic sophistication to the clean and minimal curves of its base.



**cushion configuration may differ depending on length*

LENGTHS	DEPTHS	HEIGHT	SEAT HEIGHT	ARM HEIGHT	ARM WIDTH	FOOT HEIGHT
5' 6", 7', 8', 9' OR 10'	37"D OR 41"D	31"H	18"H	31"H	5"W	2"H