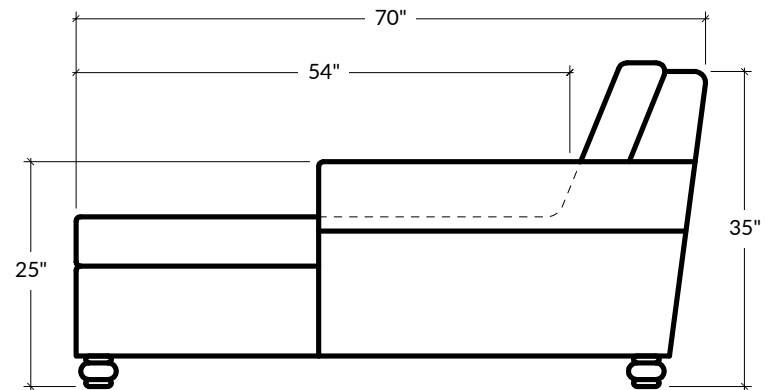
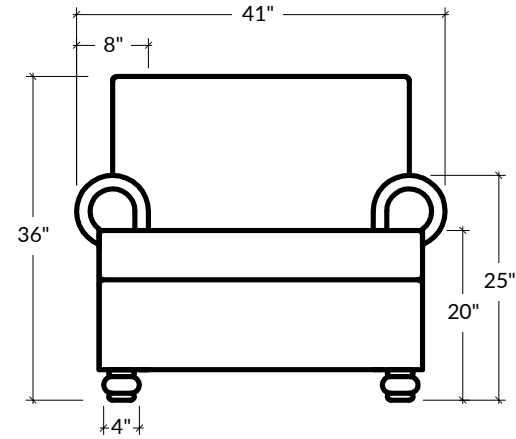
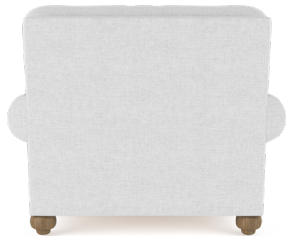


A laid-back appeal with pleated traditional details such as bun feet and pleated roll arms. The silhouette has a soft and simple silhouette that adds a familiar charm without feeling dated.



SEAT DEPTH
54"D

DEPTH
70"D

HEIGHT
36"H

SEAT HEIGHT
20"H

ARM HEIGHT
25"H

ARM WIDTH
8"W

FOOT HEIGHT
3 3/8"H