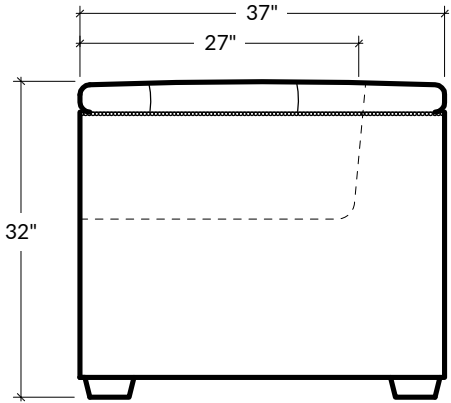
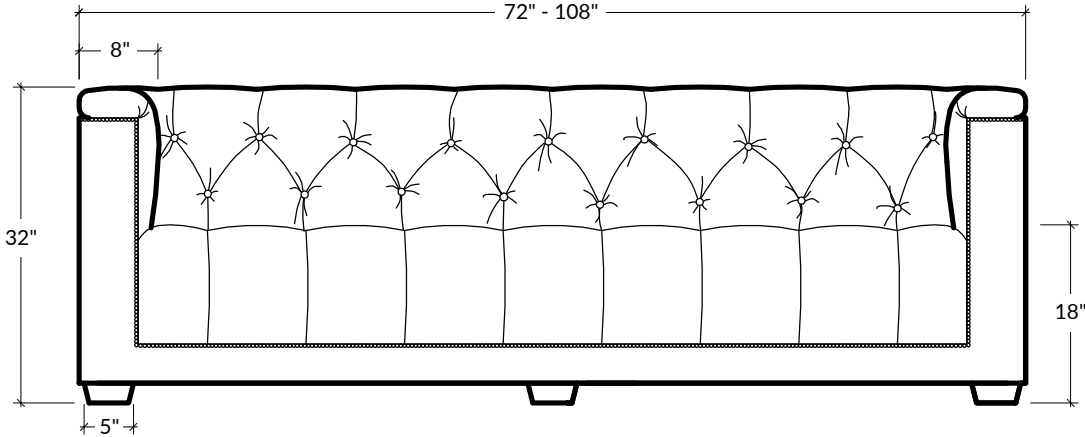


A formal affair, the collection turns the retro tuxedo design into a streamlined modern shape. Deep button tufting creates a stylishly tailored seat accented with antique-brass nail heads.



LENGTHS	DEPTHS	HEIGHT	SEAT HEIGHT	ARM HEIGHT	ARM WIDTH	FOOT HEIGHT
6', 7', 8' or 9'	37"D	32"H	18"H	32"H	8"W	2"H
