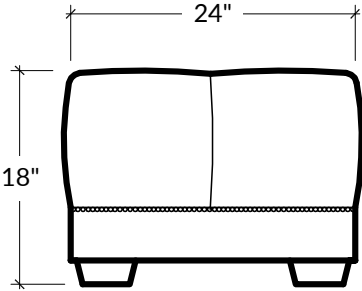
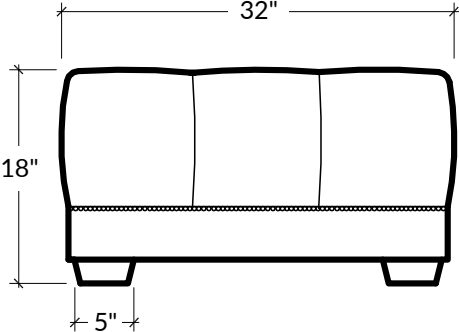


A formal affair, the collection turns the retro tuxedo design into a streamlined modern shape. Deep button tufting creates a stylishly tailored seat accented with antique-brass nail heads.



WIDTH
32"W

DEPTH
24"D

HEIGHT
18"H

FOOT HEIGHT
2"H