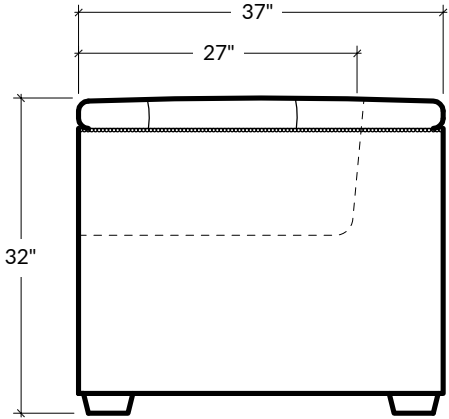
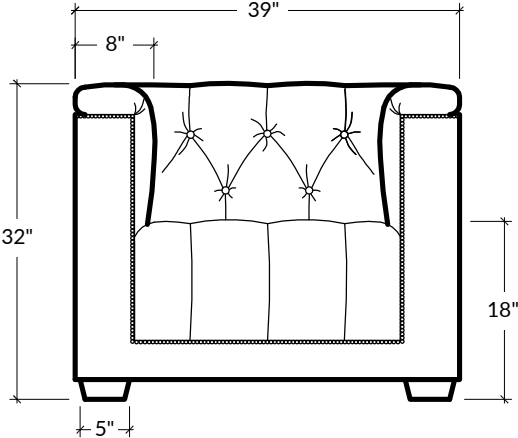


A formal affair, the collection turns the retro tuxedo design into a streamlined modern shape. Deep button tufting creates a stylishly tailored seat accented with antique-brass nail heads.



DEPTHS
37"D

HEIGHT
32"H

SEAT HEIGHT
18"H

ARM HEIGHT
32"H

ARM WIDTH
8"W

FOOT HEIGHT
2"H