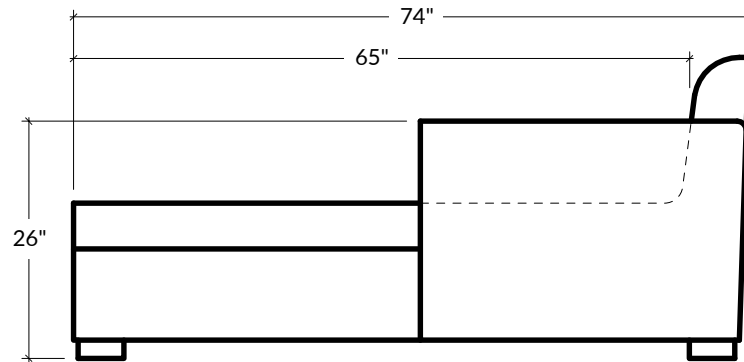
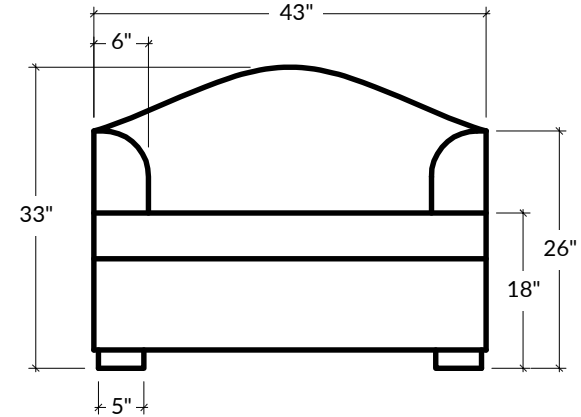


This sleek silhouette features a traditional camelback outline. The arched back's elegant curve is echoed in classic waterfall armrests, anchored in the present with low, square legs.



SEAT DEPTH
65"D

DEPTH
74"D

HEIGHT
33"H

SEAT HEIGHT
18"H

ARM HEIGHT
26"H

ARM WIDTH
6"W

FOOT HEIGHT
2"H