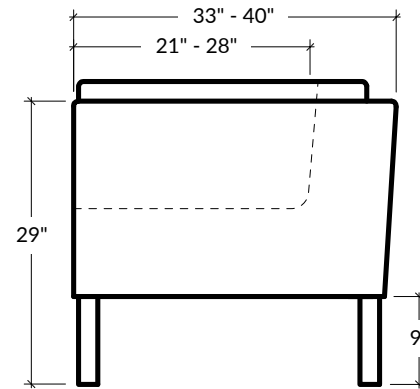
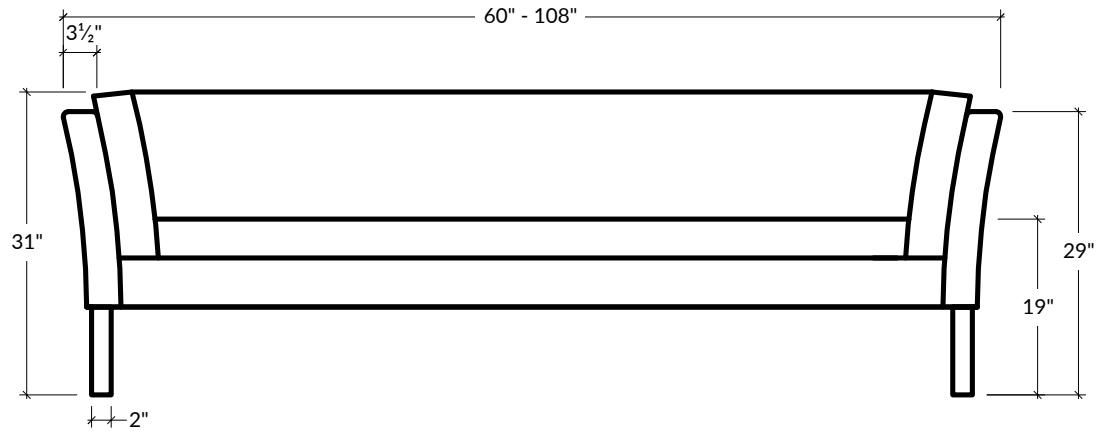


The Charlton Collection's simple, lyrical curves imbue it with mid-century modern grace. The back and arms have a casual sway, perched on long, tapered legs for a regal and refined profile.



LENGTHS  
5' 6", 7', 8' OR 9'

DEPTHS  
33"D OR 40"D

HEIGHT  
31"H

SEAT HEIGHT  
19"H

ARM HEIGHT  
29"H

ARM WIDTH  
3 1/2"W

FOOT HEIGHT  
9"H